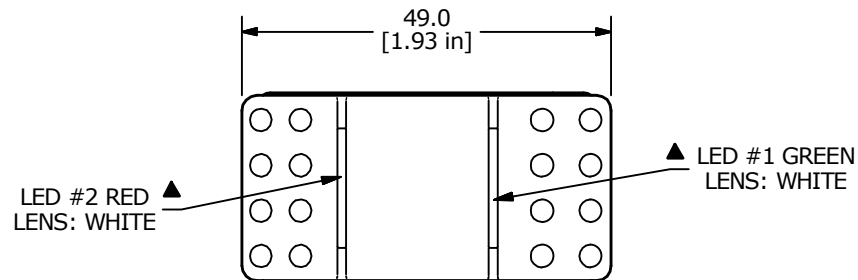


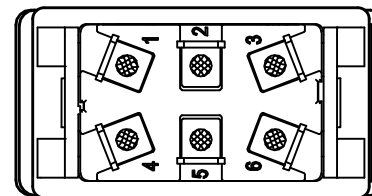
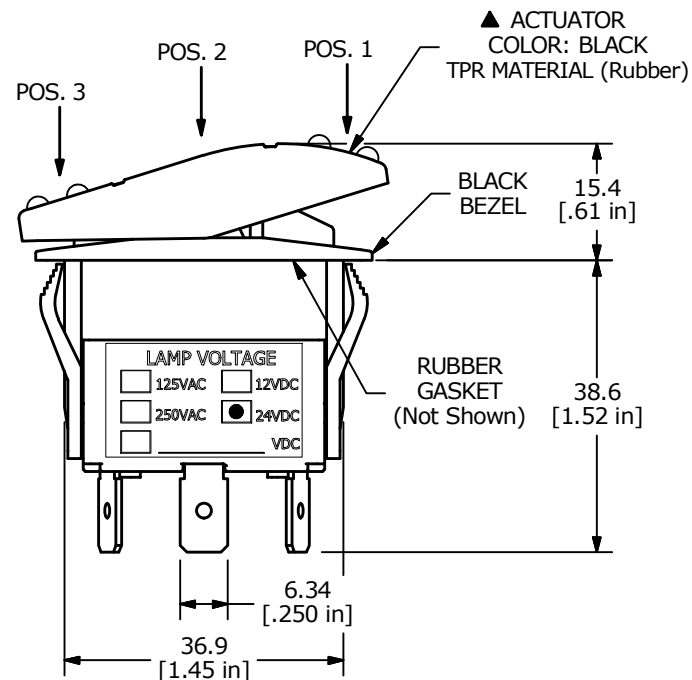
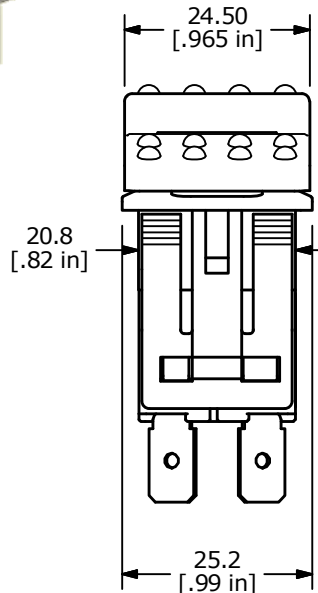
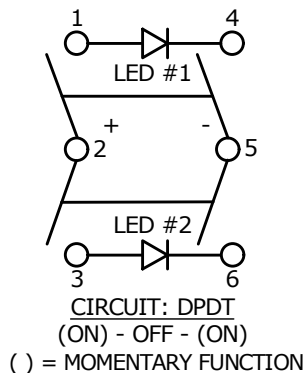
RECOMMENDED PANEL CUT-OUT

PANEL THICKNESS	X
1.0 - 1.5	37.3 ^{+0.0} / _{-0.1}
2.5 - 3.0	37.5 ^{+0.0} / _{-0.1}
3.5 - 4.5	37.7 ^{+0.0} / _{-0.1}



▲ SWITCH FUNCTION		
POS. 1	POS. 2	POS. 3
(ON)	OFF	(ON)
1-2; 4-5	OFF	2-3; 5-6

() = MOMENTARY FUNCTION



NOTES:

- ALL DIMENSIONS IN MM [INCH]
- GENERAL TOLERANCE: X.X = ±0.4
X.XX = ±0.25
- TERM. NUMBERS FOR REF. ONLY
- RATING: 16A @ 30 VDC, 50/60 Hz, μT55
UL LISTED
- ELECTRICAL LIFE: 10,000 CYCLES
- MECHANICAL LIFE: 30,000 CYCLES
- CONTACT RESISTANCE: <20 MILLI-OHMS INITIAL
- DIELECTRIC STRENGTH: >1,500V AC 1MIN
- INSULATION RESISTANCE: >100 MOHMS @ 500VDC
- OPERATING TEMP: 0°C to 55°C
- LED VOLTAGE: 24VDC
- ▲ DENOTES CRITICAL PARAMETER.



A	23923	New Release	6/11/19	MW
REV	PCR NO	DESCRIPTION	DATE	BY

TITLE R726FA3-SXXX3BDGRW				
SCALE 1:1	DATE 6/10/2019	DR MW	DWG C700042	REV A

THE INFORMATION CONTAINED IN THIS DOCUMENT IS PROPRIETARY TO E-SWITCH AND IS NOT TO BE COPIED OR TRANSFERRED